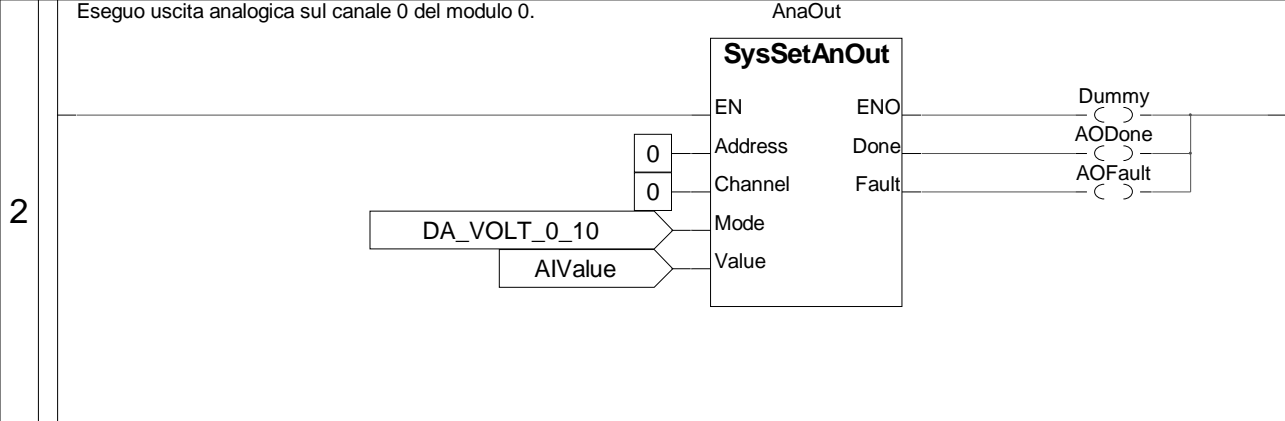
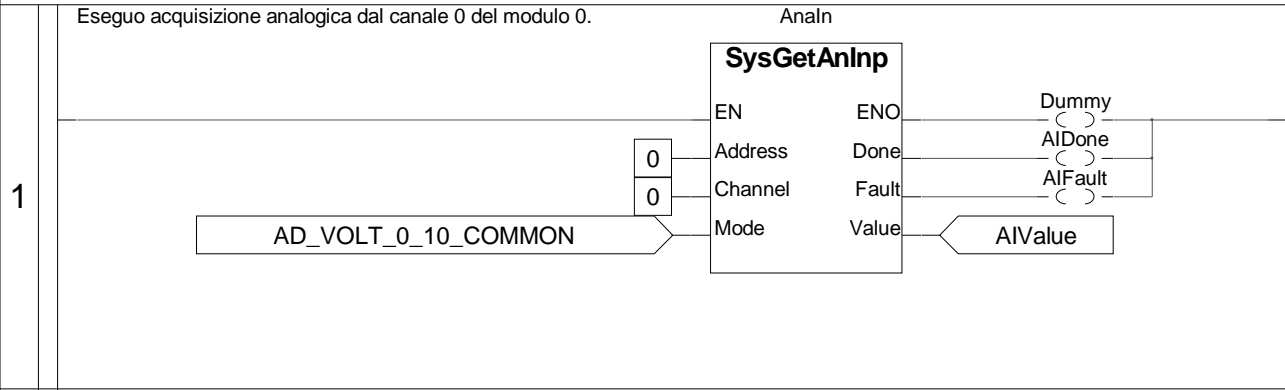


```

VAR
AnaIn : SysGetAnInp; (* Analog input acquisition FB *)
Dummy : BOOL; (* Dummy variable *)
AIDone : BOOL; (* Analog input done *)
AIFault : BOOL; (* Analog input fault *)
AIValue : REAL; (* Analog input value *)
AnaOut : SysSetAnOut;
AODone : BOOL; (* Analog output done *)
AOFault : BOOL; (* Analog output fault *)
END_VAR
    
```



| | |
|----------------------|-----------------|
| Project : AnaInToOut | |
| PROGRAM : LD | |
| Release : | Ver :1.00 |
| Author : | Date:15/10/2011 |
| Note : | Page:1 of 1 |