

VARIABLES

VAR_GLOBAL

```
(* Inputs *)
Di00CPU AT %IX255.0 : BOOL; (* DI 00 CPU module *)
Di01CPU AT %IX255.1 : BOOL; (* DI 01 CPU module *)
Di02CPU AT %IX255.2 : BOOL; (* DI 02 CPU module *)
Di03CPU AT %IX255.3 : BOOL; (* DI 03 CPU module *)
Di04CPU AT %IX255.4 : BOOL; (* DI 04 CPU module *)
Di05CPU AT %IX255.5 : BOOL; (* DI 05 CPU module *)
```

```
(* Outputs *)
Do00CPU AT %QX255.0 : BOOL; (* DO 00 CPU module *)
Do01CPU AT %QX255.1 : BOOL; (* DO 01 CPU module *)
Do02CPU AT %QX255.2 : BOOL; (* DO 02 CPU module *)
Do03CPU AT %QX255.3 : BOOL; (* DO 03 CPU module *)
END_VAR
```

	Project : IOTest	
	VARIABLES :	
	Release : IOTest	Ver :1.00
	Author :	Date:14/03/2013
	Note :	Page:1 of 1

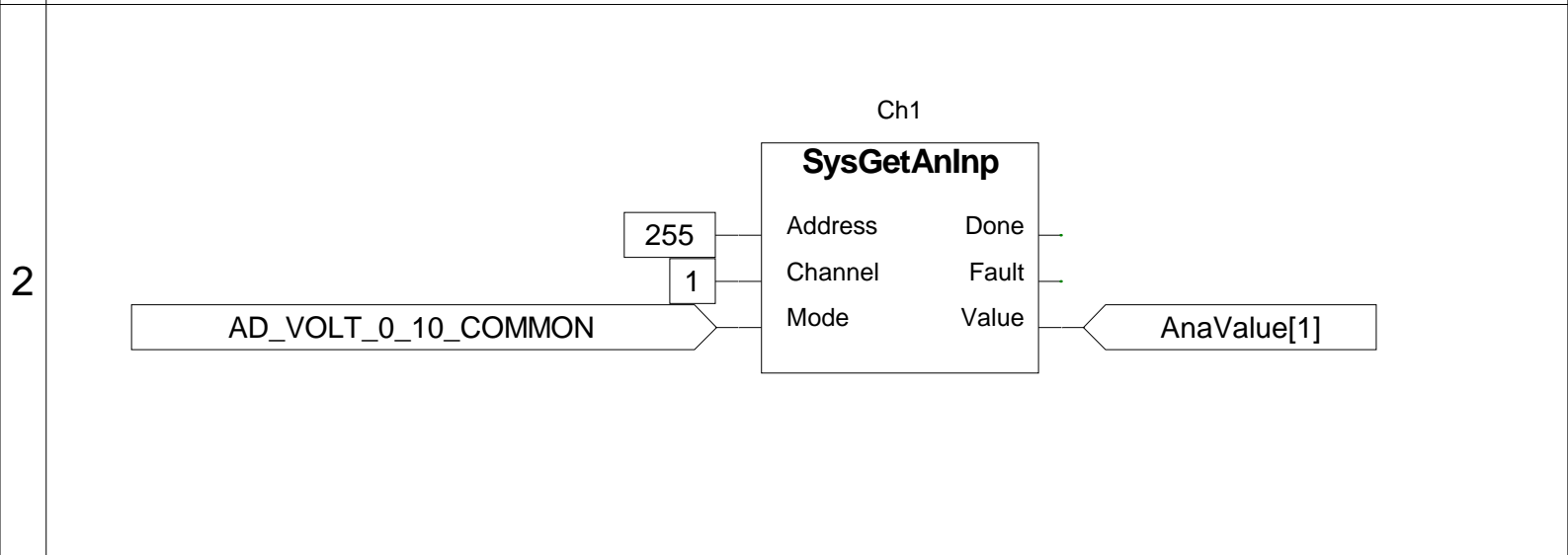
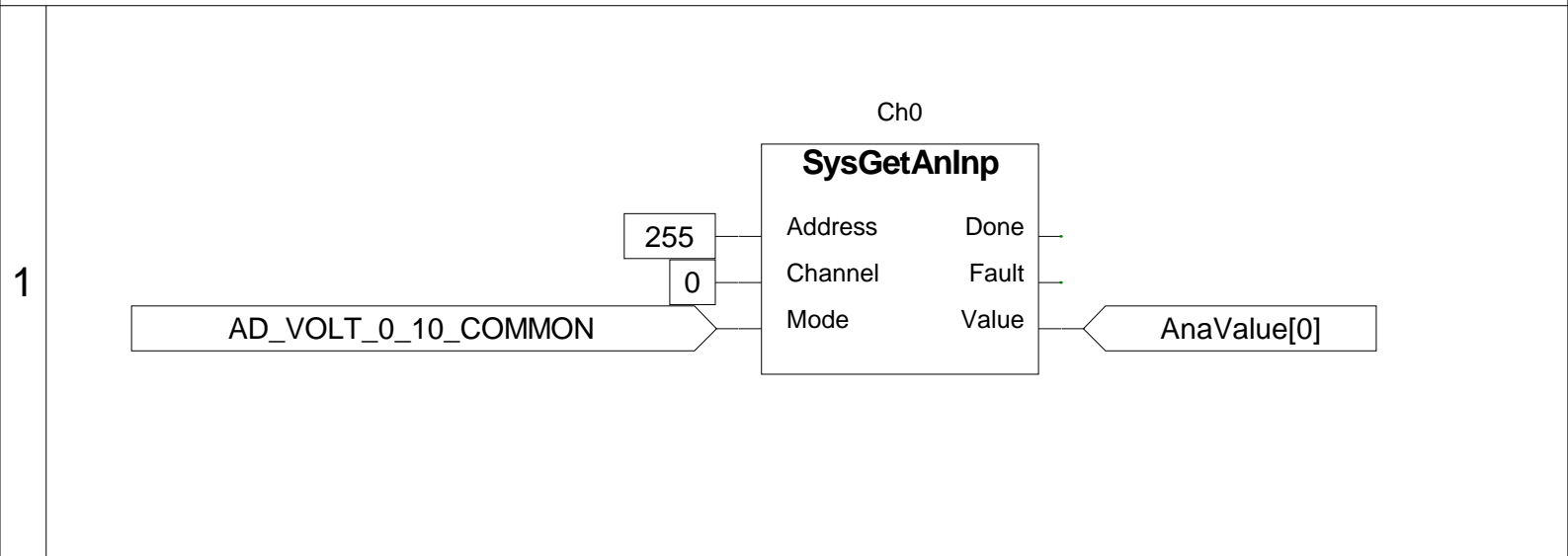
PROGRAM IOLogic



	Project : IOTest	
	PROGRAM : IOLogic	
	Release : IOTest	Ver :1.00
	Author :	Date:14/03/2013
	Note :	Page:1 of 1

```

VAR
Ch0 : SysGetAnInp;
AnaValue : ARRAY[ 0..1 ] OF REAL; (* Analog value (Volt) *)
Ch1 : SysGetAnInp;
END_VAR
    
```



	Project : IOTest	
	PROGRAM : Analog	
	Release : IOTest	Ver :1.00
	Author :	Date:14/03/2013
	Note :	Page:1 of 1