

VARIABLES

VAR_GLOBAL RETAIN

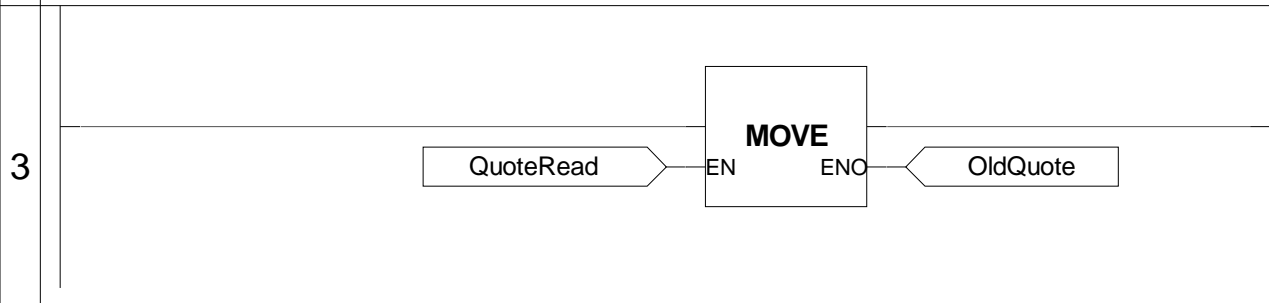
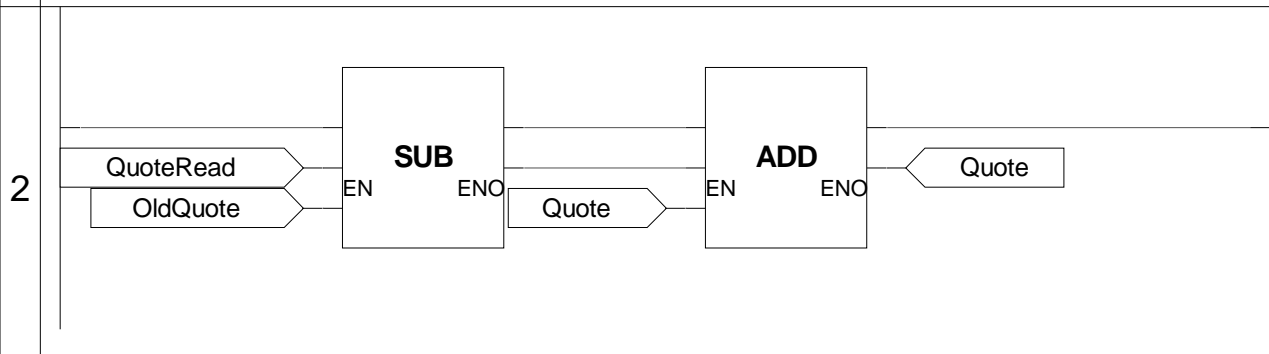
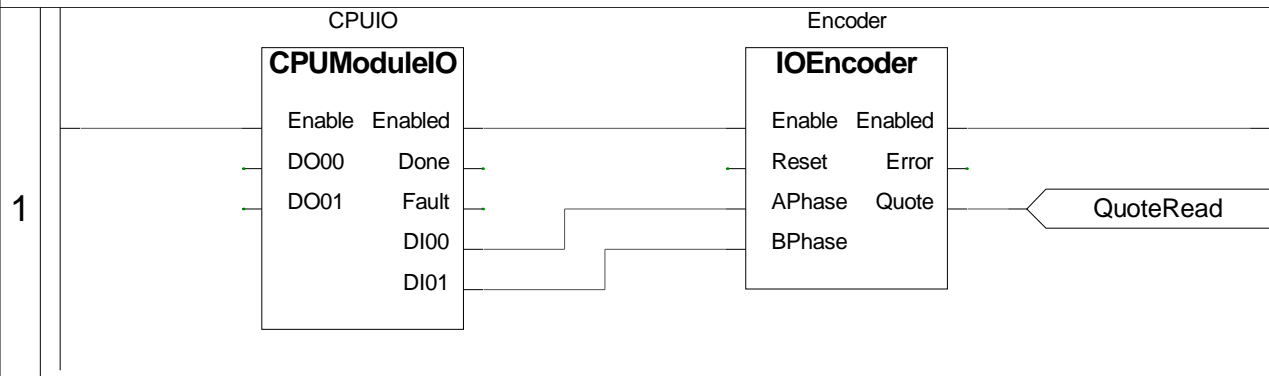
Quote : UDINT; (* Quote value (Pulses) *)

END_VAR

	Project : EncoderOnIO	
	VARIABLES :	
	Release : EncoderOnI	Ver :1.00
	Author :	Date:26/03/2013
	Note :	Page:1 of 1

```

VAR
Encoder : IOEncoder; (* Encoder over I/O *)
QuoteRead : UDINT; (* Quote read (Pulses) *)
OldQuote : UDINT; (* Old quote (Pulses) *)
CPUIO : CPUModuleIO; (* CPU modulo I/O management *)
END_VAR
    
```



Project : EncoderOnIO	
PROGRAM : LD	
Release : EncoderOnI	Ver :1.00
Author :	Date:26/03/2013
Note :	Page:1 of 1

FUNCTION_BLOCK IOEncoder

(SFR054B200) Acquires a quadrature encoder over logic inputs
ENCRYPTED CODE

```
VAR_INPUT
Enable : BOOL; (* FB enable *)
Reset  : BOOL; (* Quote reset *)
APhase : BOOL; (* Encoder A phase *)
BPhase : BOOL; (* Encoder B phase *)
END_VAR

VAR_OUTPUT
Enabled : BOOL; (* FB enabled *)
Error   : BOOL; (* Encoder acquisition error *)
Quote   : UDINT; (* Encoder quote *)
END_VAR
```

1

	Project : EncoderOnIO	
	FUNCTION BLOCK : IOEncoder	
	Release : EncoderOnI	Ver :1.00
	Author :	Date:26/03/2013
	Note :	Page:1 of 1

FUNCTION_BLOCK CPUModuleIO

(SFR054B200) Manages the logic I/O on the CPU module
ENCRYPTED CODE

```
VAR_INPUT
Enable : BOOL; (* Function enable *)
DO00 : BOOL; (* Digital output 0 *)
DO01 : BOOL; (* Digital output 1 *)
END_VAR

VAR_OUTPUT
Enabled : BOOL; (* Function enabled *)
Done : BOOL; (* Function done *)
Fault : BOOL; (* Function fault *)
DI00 : BOOL; (* Digital input 0 *)
DI01 : BOOL; (* Digital input 0 *)
END_VAR
```

1

	Project : EncoderOnIO	
	FUNCTION BLOCK : CPUModuleIO	
	Release : EncoderOnI	Ver :1.00
	Author :	Date:26/03/2013
	Note :	Page:1 of 1