

VARIABLES

VAR_GLOBAL

```

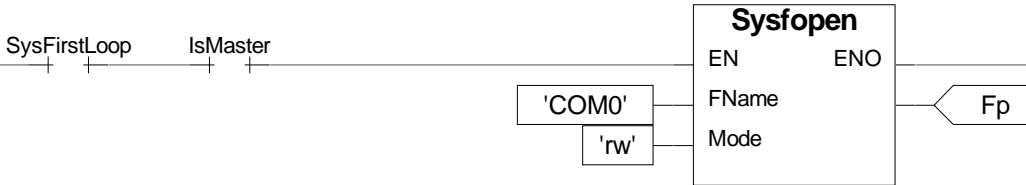
RxData AT %MX100.0 : DATATXFERSTRUCT; (* Dati ricevuti *)
TxData AT %MX100.16 : DATATXFERSTRUCT; (* Dati trasmessi *)
IsMaster : BOOL; (* Sistema master *)
IsSlave : BOOL; (* Sistema slave *)
Di00M00 AT %IX0.0 : BOOL; (* Input 00 Module 00 *)
Di01M00 AT %IX0.1 : BOOL; (* Input 01 Module 00 *)
Di02M00 AT %IX0.2 : BOOL; (* Input 02 Module 00 *)
Di03M00 AT %IX0.3 : BOOL; (* Input 03 Module 00 *)
Di04M00 AT %IX0.4 : BOOL; (* Input 04 Module 00 *)
Di05M00 AT %IX0.5 : BOOL; (* Input 05 Module 00 *)
Di06M00 AT %IX0.6 : BOOL; (* Input 06 Module 00 *)
Di07M00 AT %IX0.7 : BOOL; (* Input 07 Module 00 *)
Do00M00 AT %QX0.0 : BOOL; (* Output 00 Module 00 *)
Do01M00 AT %QX0.1 : BOOL; (* Output 01 Module 00 *)
Do02M00 AT %QX0.2 : BOOL; (* Output 02 Module 00 *)
Do03M00 AT %QX0.3 : BOOL; (* Output 03 Module 00 *)
Do04M00 AT %QX0.4 : BOOL; (* Output 04 Module 00 *)
Do05M00 AT %QX0.5 : BOOL; (* Output 05 Module 00 *)
Do06M00 AT %QX0.6 : BOOL; (* Output 06 Module 00 *)
Do07M00 AT %QX0.7 : BOOL; (* Output 07 Module 00 *)
END_VAR
    
```

	Project : IOExchange	
	VARIABLES :	
	Release : IOExchange	Ver :1.00
	Author :	Date:27/09/2013
	Note :	Page:1 of 1

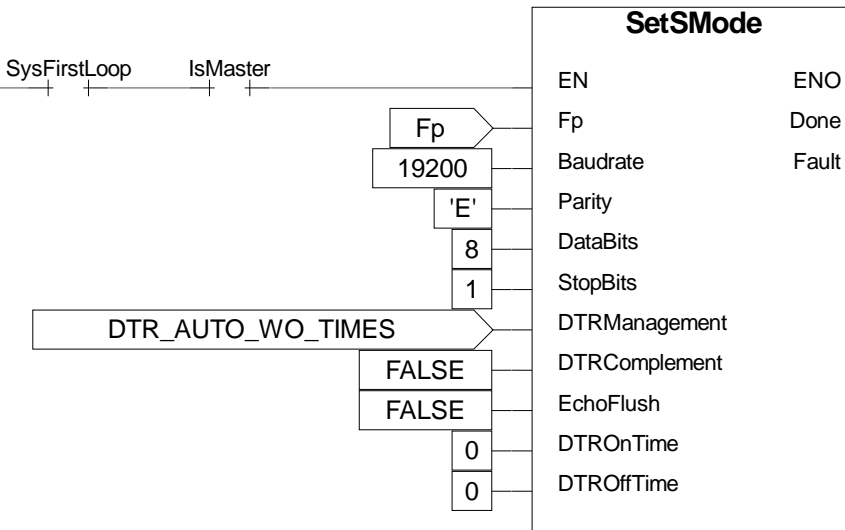
```

VAR
Fp : FILEP; (* File pointer *)
MdbRd : ModbusMaster; (* Modbus master (Lettura dati) *)
MdbWr : ModbusMaster; (* Modbus master (Scrittura dati) *)
MdbDone : ARRAY[ 0..1 ] OF BOOL; (* Modbus done *)
Sm : SetSMode;
END_VAR
    
```

Eseguo apertura porta seriale



Sm



Project : IOExchange

PROGRAM : MasterCom

Release : IOExchange

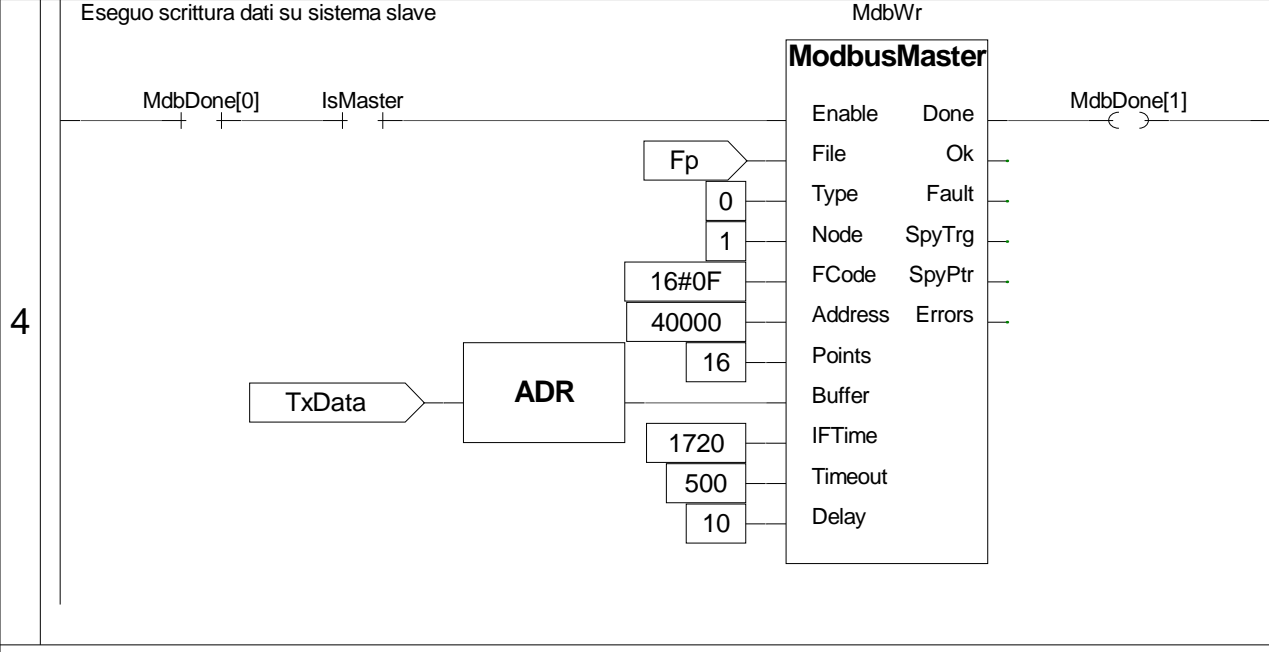
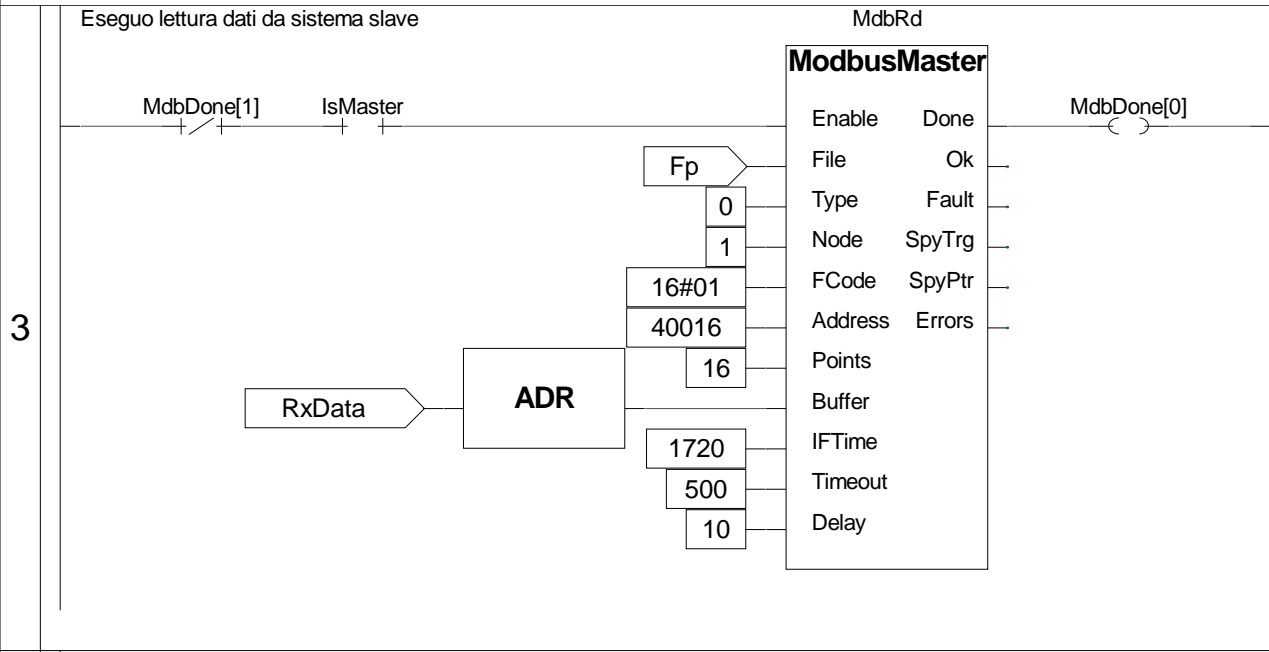
Ver :1.00

Author :

Date:27/09/2013

Note :

Page:1 of 2

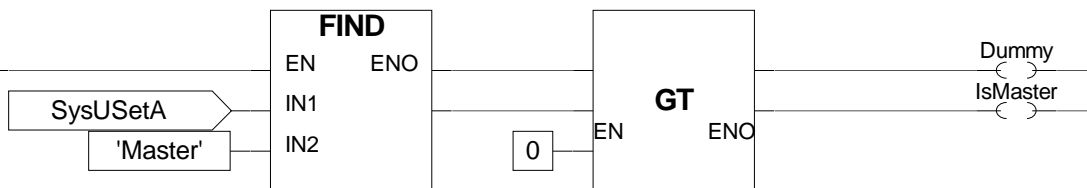


Project :	IOExchange	
PROGRAM :	MasterCom	
Release :	IOExchange	Ver :1.00
Author :		Date:27/09/2013
Note :		Page:2 of 2

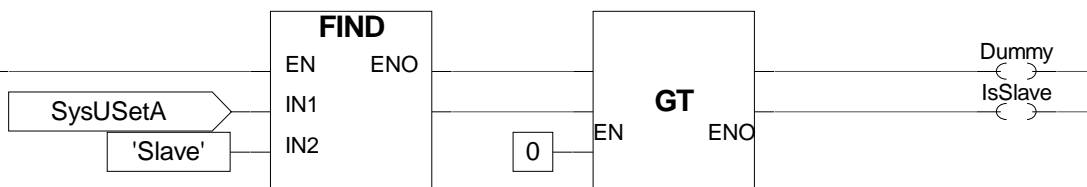
```

VAR
Dummy : BOOL; (* Dummy variable *)
END_VAR
    
```

Controllo se sistema master



Controllo se sistema slave



Project : IOExchange

PROGRAM : StartUp

Release : IOExchange

Ver :1.00

Author :

Date:27/09/2013

Note :

Page:1 of 1

PROGRAM DInputs

1	Di00M00	TxData.ABool[0]
2	Di01M00	TxData.ABool[1]
3	Di02M00	TxData.ABool[2]
4	Di03M00	TxData.ABool[3]
5	Di04M00	TxData.ABool[4]
6	Di05M00	TxData.ABool[5]
7	Di06M00	TxData.ABool[6]
8	Di07M00	TxData.ABool[7]

Project : IOExchange	
PROGRAM : DInputs	
Release : IOExchange	Ver :1.00
Author :	Date:27/09/2013
Note :	Page:1 of 1

PROGRAM DOutputs

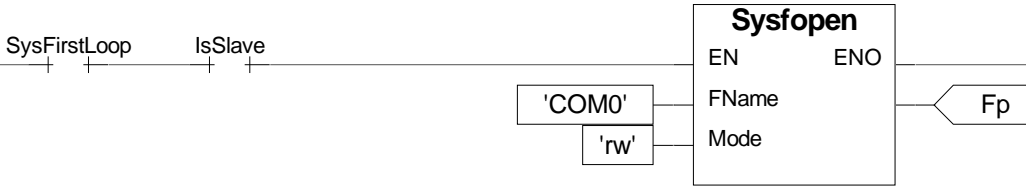
1	RxData.ABool[0]	Do00M00
2	RxData.ABool[1]	Do01M00
3	RxData.ABool[2]	Do02M00
4	RxData.ABool[3]	Do03M00
5	RxData.ABool[4]	Do04M00
6	RxData.ABool[5]	Do05M00
7	RxData.ABool[6]	Do06M00
8	RxData.ABool[7]	Do07M00

Project : IOExchange	
PROGRAM : DOutputs	
Release : IOExchange	Ver :1.00
Author :	Date:27/09/2013
Note :	Page:1 of 1

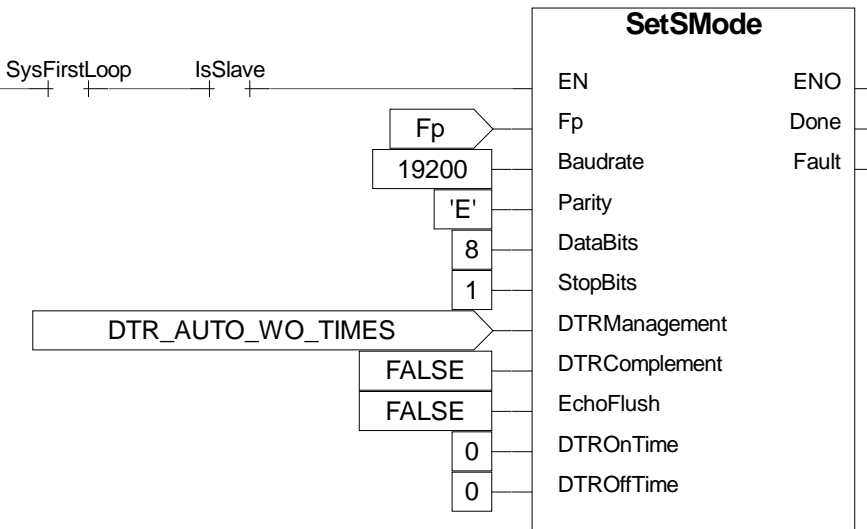
```

VAR
Fp : FILEP; (* File pointer *)
Mdb : ModbusSlave; (* Modbus slave *)
Sm : SetSMode;
END_VAR
    
```

Eseguo apertura porta seriale



Sm



Project : IOExchange

PROGRAM : SlaveCom

Release : IOExchange

Ver :1.00

Author :

Date:27/09/2013

Note :

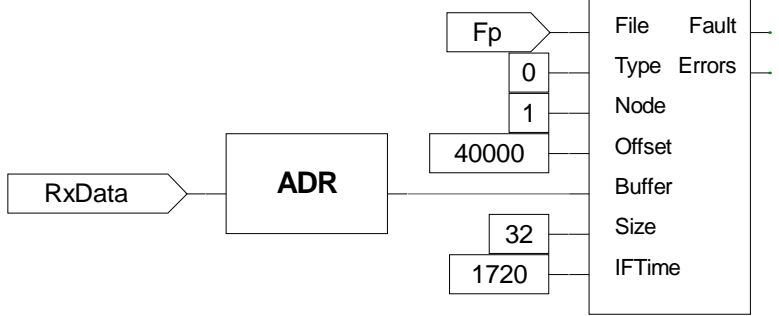
Page:1 of 2

Eseguo lettura dati da sistema slave

Mdb

ModbusSlave

IsSlave



3

Project : IOExchange	
PROGRAM : SlaveCom	
Release : IOExchange	Ver :1.00
Author :	Date:27/09/2013
Note :	Page:2 of 2

FUNCTION_BLOCK ModbusMaster

(SFR054B220) Manages the modbus master communication
 ENCRYPTED CODE

```

VAR_INPUT
Enable : BOOL;
File : FILEP; (* Terminal I/O pointer *)
Type : USINT; (* Modbus type *)
Node : USINT; (* Node number *)
FCODE : USINT; (* Function code *)
Address : UINT; (* Start address *)
Points : UDINT; (* Number of points *)
Buffer : @USINT; (* Address of data buffer *)
IFTime : UDINT; (* Interframe time (uS) *)
Timeout : UINT; (* Timeout time (mS) *)
Delay : UINT; (* Delay time (mS) *)
END_VAR
    
```

```

VAR_OUTPUT
Done : BOOL; (* Command done *)
Ok : BOOL := FALSE; (* Execution Ok *)
Fault : BOOL; (* Command fault *)
SpyTrg : UDINT; (* Spy trigger *)
SpyPtr : @USINT; (* Data to spy pointer *)
Errors : UDINT; (* Error counter *)
END_VAR
    
```

1

	Project : IOExchange	
	FUNCTION BLOCK : ModbusMaster	
	Release : IOExchange	Ver :1.00
	Author :	Date:27/09/2013
	Note :	Page:1 of 1

(SFR054B210) Set the serial communication mode
ENCRYPTED CODE

```
VAR_INPUT
Fp : FILEP;
Baudrate : UDINT; (* Baudrate *)
Parity : STRING[ 1 ]; (* Parity type *)
DataBits : USINT; (* Nr of data bits *)
StopBits : USINT; (* Nr of stop bits *)
DTRManagement : USINT; (* DTR management type *)
DTRComplement : BOOL; (* Complement the DTR signal *)
EchoFlush : BOOL; (* Flush the echo *)
DTROnTime : UINT; (* DTR On wait time *)
DTROffTime : UINT; (* DTR Off wait time *)
END_VAR

VAR_OUTPUT
Done : BOOL; (* Execution done *)
Fault : BOOL; (* Execution fault *)
END_VAR
```

1

	Project : IOExchange	
	FUNCTION BLOCK : SetSMode	
	Release : IOExchange	Ver :1.00
	Author :	Date:27/09/2013
	Note :	Page:1 of 1

FUNCTION_BLOCK ModbusSlave

(SFR054B220) Manages the modbus slave communication
 ENCRYPTED CODE

```

VAR_INPUT
Enable : BOOL; (* FB enable *)
File : FILEP; (* Terminal I/O pointer *)
Type : USINT; (* Modbus type *)
Node : USINT; (* Node number *)
Offset : UINT; (* Modbus address offset *)
Buffer : UDINT; (* Data buffer *)
Size : UDINT; (* Data buffer size *)
IFTime : UDINT; (* Interframe time (uS) *)
END_VAR
    
```

```

VAR_OUTPUT
Done : BOOL; (* Rx command done *)
Fault : BOOL; (* Command fault *)
Errors : UDINT; (* Error counter *)
END_VAR
    
```

1

	Project : IOExchange	
	FUNCTION BLOCK : ModbusSlave	
	Release : IOExchange	Ver :1.00
	Author :	Date:27/09/2013
	Note :	Page:1 of 1