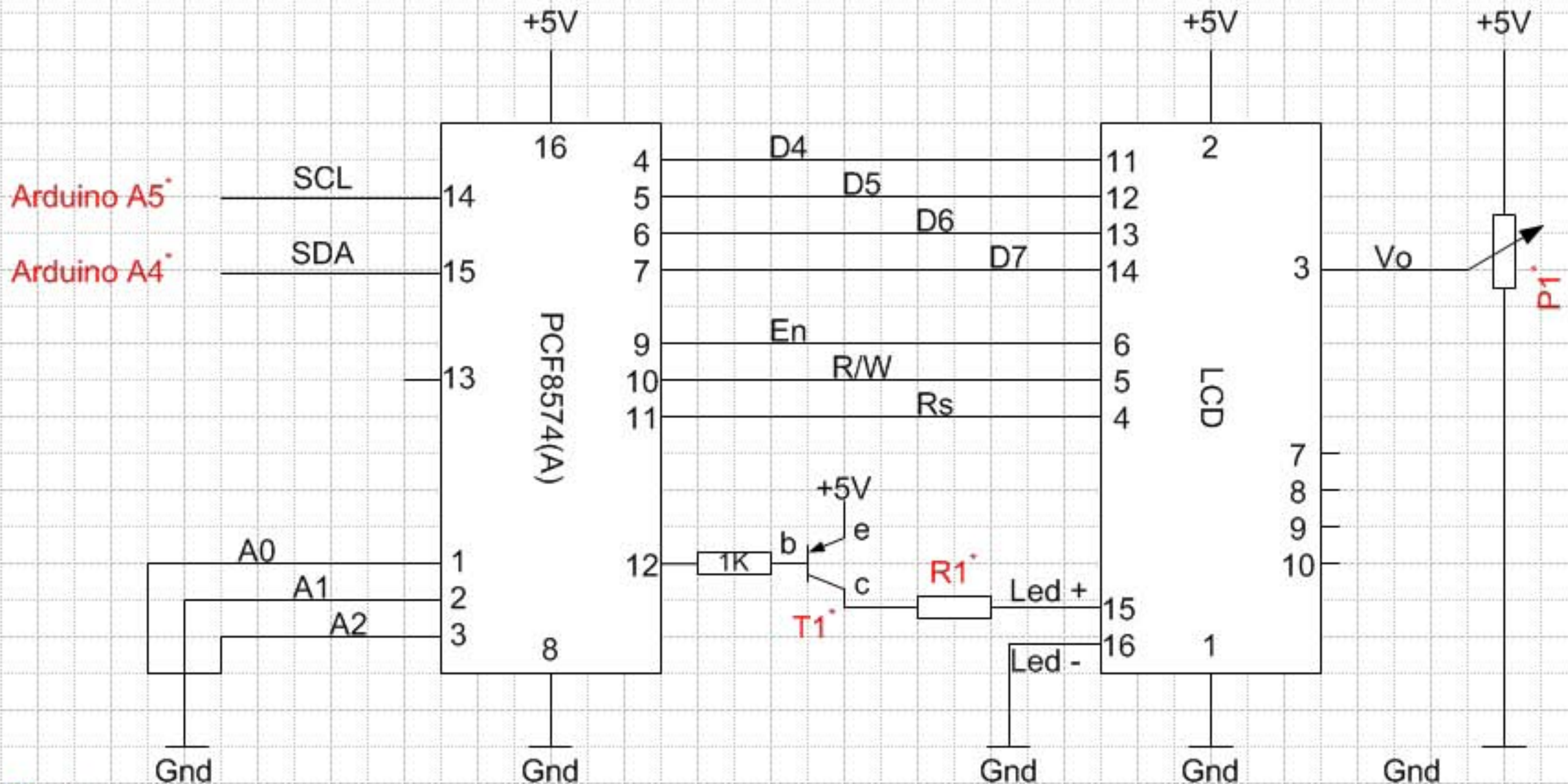


Arduino I²C interface for parallel LCD's with HD44780 controller



Notes:

- R1 value depends on LCD specifications. See LCD datasheet for correct value.
- Vo Voltage (circuit) depends on LCD specifications. See LCD datasheet for correct P1 value (and circuit).
- Pin numbers may differ between different LCD's. Double check before connecting!
- T1 is a PNP type transistor capable of handling the current drawn by the Backlight led. For LCD's with a backlight current < 500 mA a BC557 will do the job.
- SCL and SDA pin numbers for Arduino Duemilanove.
- I²C address of PCF8574 (all three address inputs grounded) = 0x20
- I²C address of PCF8574A (all three address inputs grounded) = 0x38