

VARIABLES

```

VAR_GLOBAL
Di00CPU AT %IX255.0 : BOOL; (* Input 00 CPU *)
Di01CPU AT %IX255.1 : BOOL; (* Input 01 CPU *)
Di02CPU AT %IX255.2 : BOOL; (* Input 02 CPU *)
Di03CPU AT %IX255.3 : BOOL; (* Input 03 CPU *)
Di04CPU AT %IX255.4 : BOOL; (* Input 04 CPU *)
Di05CPU AT %IX255.5 : BOOL; (* Input 05 CPU *)
Do00CPU AT %QX255.0 : BOOL; (* Output 00 CPU *)
Do01CPU AT %QX255.1 : BOOL; (* Output 01 CPU *)
Do02CPU AT %QX255.2 : BOOL; (* Output 02 CPU *)
Do03CPU AT %QX255.3 : BOOL; (* Output 03 CPU *)
MdbCm AT %MX100.0 : MODBUSDATA; (* Struttura comunicazione modbus *)
END_VAR

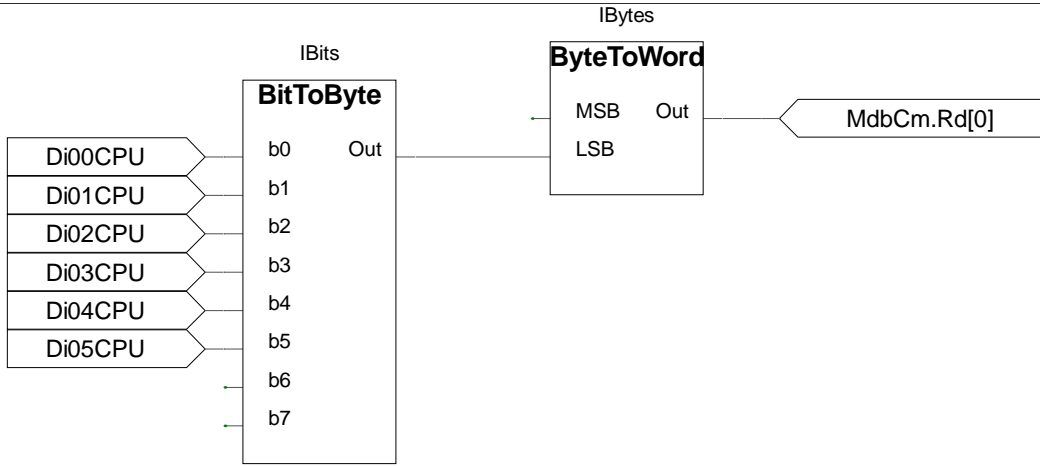
```

	Project : SlaveNode	
	VARIABLES :	
	Release : SlaveNode	Ver :1.00
	Author :	Date:10/01/2014
	Note :	Page:1 of 1

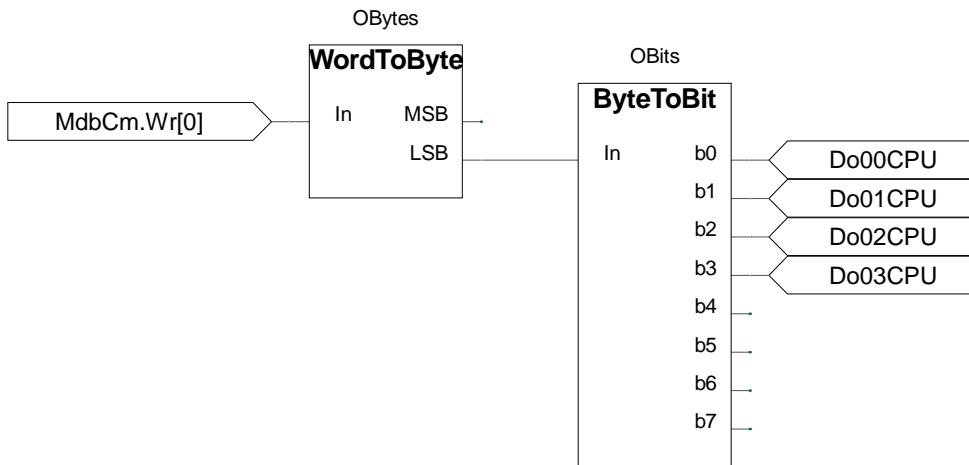
```

VAR
IBits : BitToByte;
IBytes : ByteToWord;
OBytes : WordToByte;
OBits : ByteToBit;
END_VAR
    
```

1



2



Project : SlaveNode	
PROGRAM : LogicIO	
Release : SlaveNode	Ver :1.00
Author :	Date:10/01/2014
Note :	Page:1 of 1

FUNCTION_BLOCK BitToByte

(SFR054B220) Merges 8 BOOL variables into a BYTE
ENCRYPTED CODE

```
VAR_INPUT
b0 : BOOL;
b1 : BOOL;
b2 : BOOL;
b3 : BOOL;
b4 : BOOL;
b5 : BOOL;
b6 : BOOL;
b7 : BOOL;
END_VAR

VAR_OUTPUT
Out : BYTE; (* Function result *)
END_VAR
```

1

	Project : SlaveNode	
	FUNCTION BLOCK : BitToByte	
	Release : SlaveNode	Ver :1.00
	Author :	Date:10/01/2014
	Note :	Page:1 of 1

FUNCTION_BLOCK ByteToBit

(SFR054B220) Splits BYTE variable into 8 BOOL
ENCRYPTED CODE

```
VAR_INPUT
In : BYTE; (* Input data *)
END_VAR

VAR_OUTPUT
b0 : BOOL; (* Bit 0 result *)
b1 : BOOL; (* Bit 1 result *)
b2 : BOOL; (* Bit 2 result *)
b3 : BOOL; (* Bit 3 result *)
b4 : BOOL; (* Bit 4 result *)
b5 : BOOL; (* Bit 5 result *)
b6 : BOOL; (* Bit 6 result *)
b7 : BOOL; (* Bit 7 result *)
END_VAR
```

1

	Project : SlaveNode	
	FUNCTION BLOCK : ByteToBit	
	Release : SlaveNode	Ver :1.00
	Author :	Date:10/01/2014
	Note :	Page:1 of 1

FUNCTION_BLOCK ByteToWorld

(SFR054B220) Merges 2 BYTE variables into a WORD
ENCRYPTED CODE

```
VAR_INPUT
MSB : BYTE; (* MSB Value *)
LSB : BYTE; (* LSB Value *)
END_VAR

VAR_OUTPUT
Out : WORD; (* Function result *)
END_VAR
```

1

	Project : SlaveNode	
	FUNCTION BLOCK : ByteToWorld	
	Release : SlaveNode	Ver :1.00
	Author :	Date:10/01/2014
	Note :	Page:1 of 1

FUNCTION_BLOCK WordToByte

(SFR054B220) Splits WORD variable into 2 BYTES
ENCRYPTED CODE

VAR_INPUT
In : WORD; (* Input data *)
END_VAR

VAR_OUTPUT
MSB : BYTE; (* MSB Result *)
LSB : BYTE; (* LSB Result *)
END_VAR

1

	Project : SlaveNode	
	FUNCTION BLOCK : WordToByte	
	Release : SlaveNode	Ver :1.00
	Author :	Date:10/01/2014
	Note :	Page:1 of 1