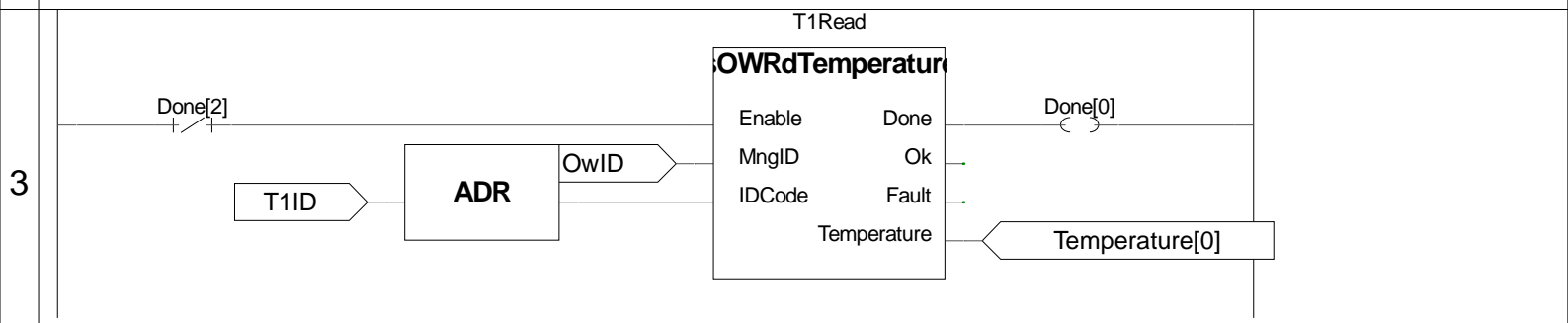
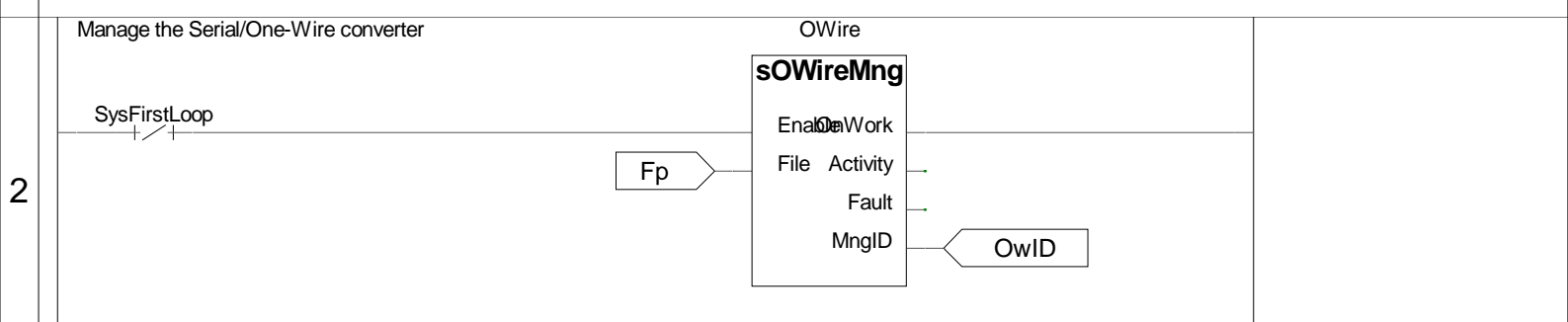
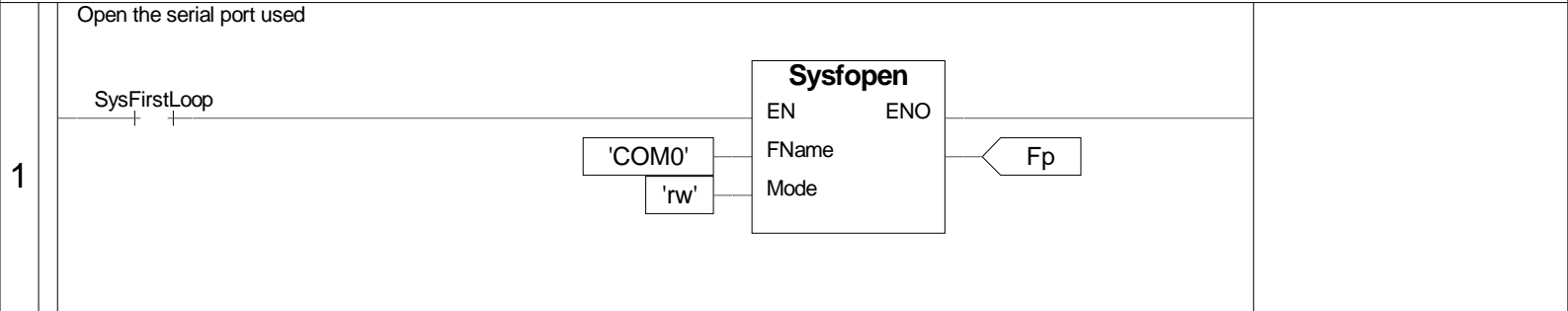
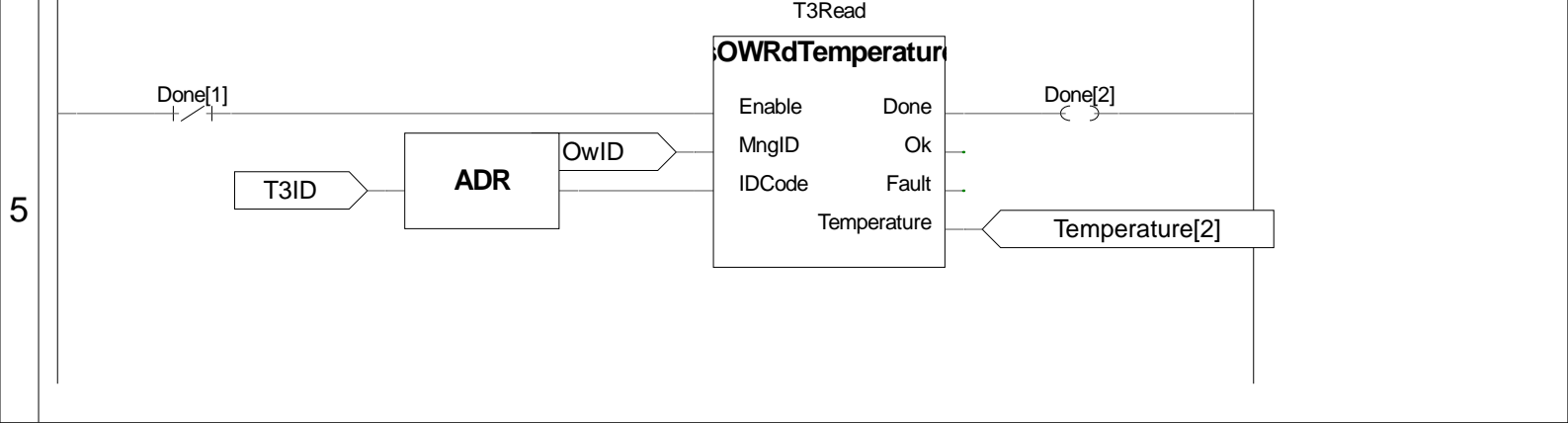
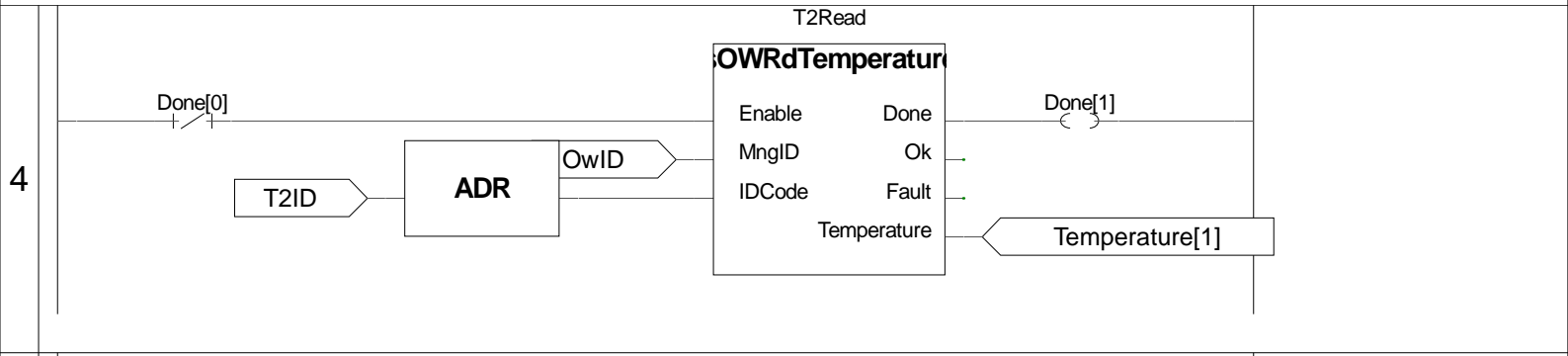


```

VAR
Done : ARRAY[ 0..2 ] OF BOOL; (* Temperature read done *)
Fp : FILEP; (* File pointer *)
OwID : UDINT; (* One-Wire ID *)
OWire : sOWireMng; (* One wire management FB *)
T1ID : ARRAY[ 0..7 ] OF BYTE := [16#28,16#10,16#36,16#A4,16#03,16#00,16#00,16#1E]; (* Sensor 1 unique ID *)
T1Read : sOWRdTemperature; (* Temperature 1 read FB *)
T2ID : ARRAY[ 0..7 ] OF BYTE := [16#28,16#1A,16#3C,16#7F,16#02,16#00,16#00,16#52]; (* Sensor 1 unique ID *)
T2Read : sOWRdTemperature; (* Temperature 2 read FB *)
T3ID : ARRAY[ 0..7 ] OF BYTE := [16#28,16#C5,16#CC,16#B6,16#02,16#00,16#00,16#BE]; (* Sensor 1 unique ID *)
T3Read : sOWRdTemperature; (* Temperature 3 read FB *)
Temperature : ARRAY[ 0..2 ] OF REAL; (* Temperature (°C) *)
END_VAR
    
```



Project : TempReader	
PROGRAM : TemperatureRead	
Release : TempReader	Ver :1.00
Author :	Date:19/03/2014
Note :	Page:1 of 2



Project : TempReader	
PROGRAM : TemperatureRead	
Release : TempReader	Ver : 1.00
Author :	Date: 19/03/2014
Note :	Page: 2 of 2