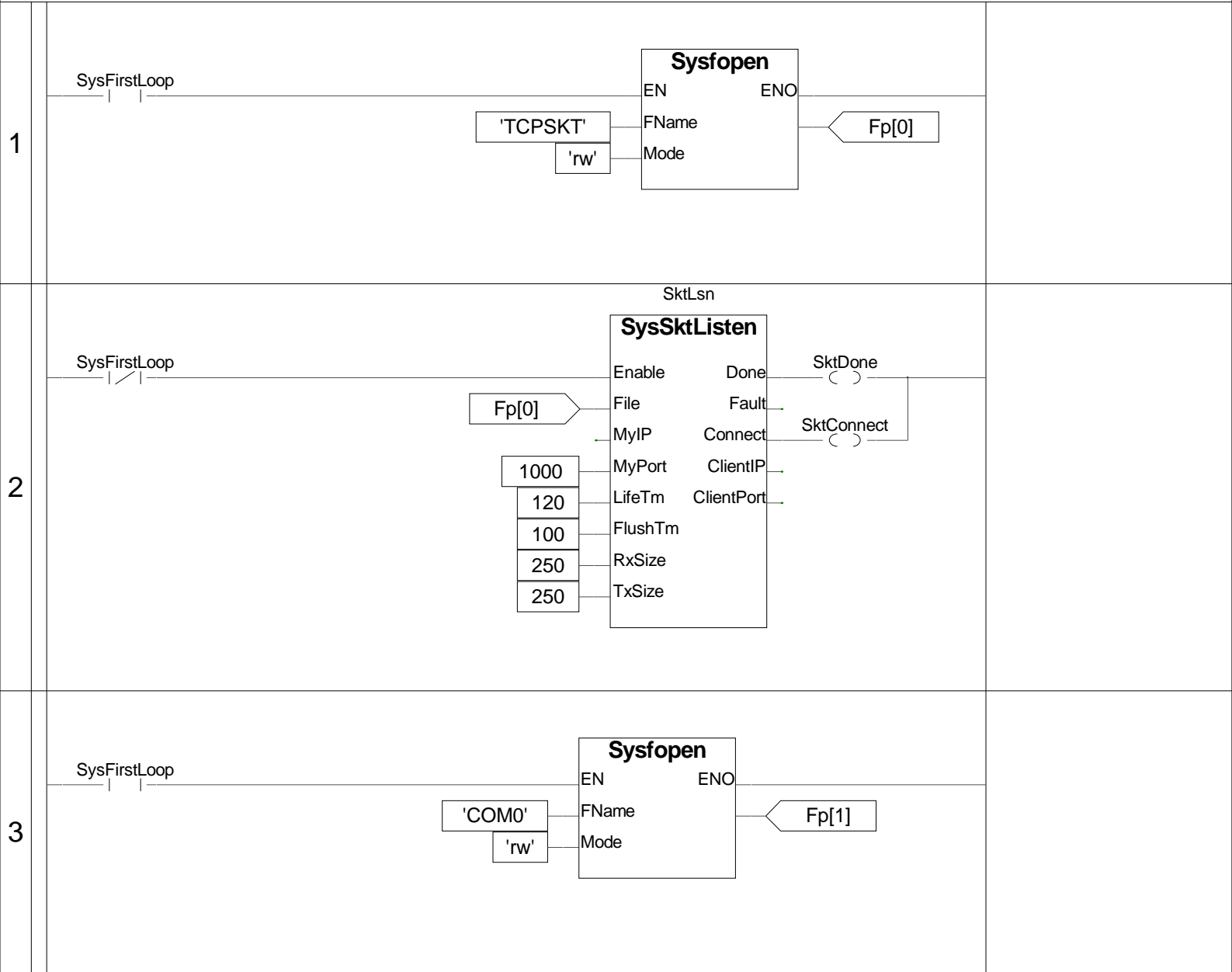
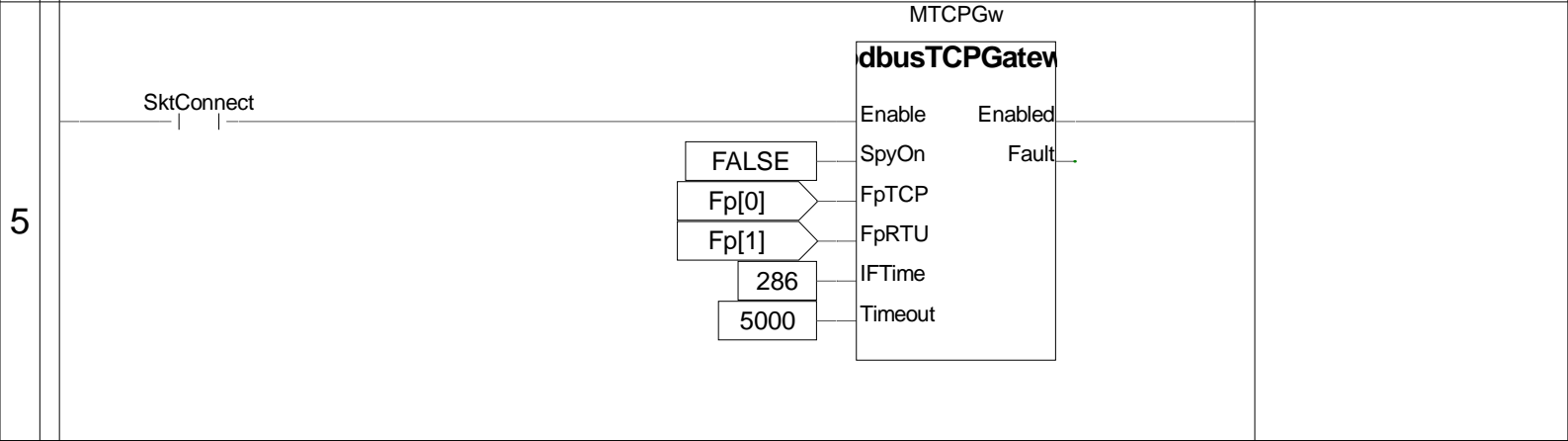
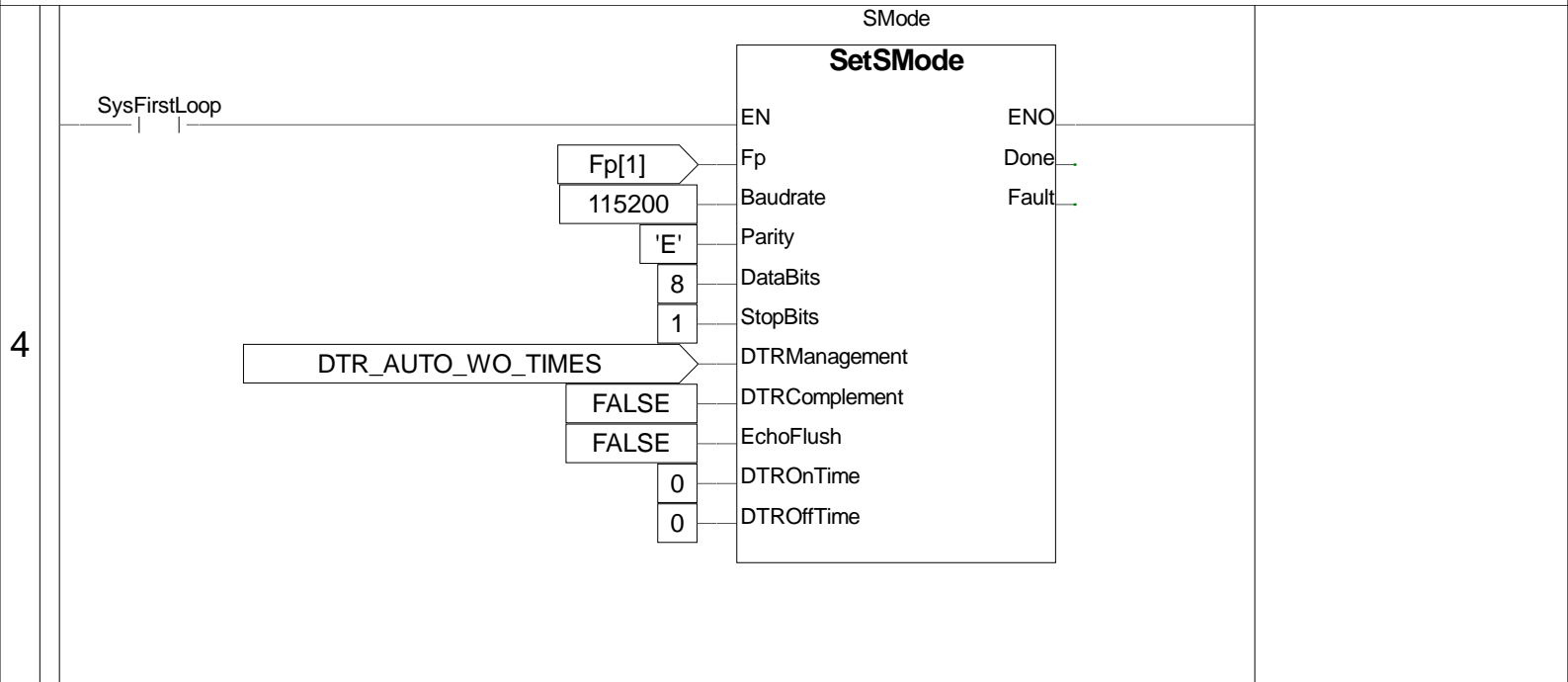


```

VAR
Fp : ARRAY[ 0..1 ] OF FILE; (* File pointer *)
SMode : SetSMode; (* Set serial mode *)
SkLsn : SysSkLsn; (* FB Socket listen *)
SkDone : BOOL; (* Socket done *)
SkConnect : BOOL; (* Socket connect *)
MTCPGw : ModbusTCPGateway; (* FB data stream exchange *)
END_VAR
    
```



Project :	ModbusGateway	
PROGRAM :	ModbusGateway	
Release :	ModbusGate	Ver :1.00
Author :		Date:09/12/2014
Note :		Page:1 of 2



Project : ModbusGateway	
PROGRAM : ModbusGateway	
Release : ModbusGate	Ver :1.00
Author :	Date:09/12/2014
Note :	Page:2 of 2