

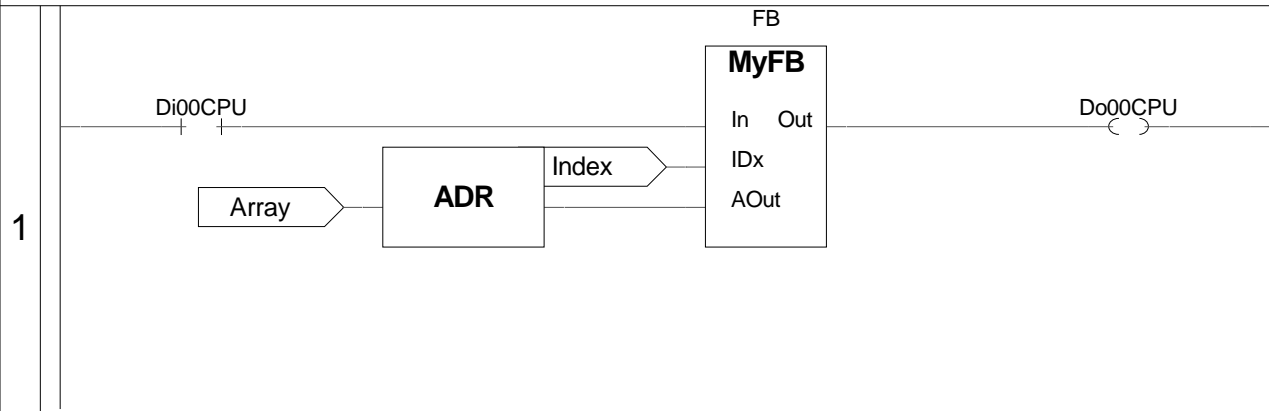
VARIABLES

```
VAR_GLOBAL  
Di00CPU AT %IX255.0 : BOOL;  
Do00CPU AT %QX255.0 : BOOL;  
END_VAR
```

	Project : FBArray	
	VARIABLES :	
	Release :	Ver :1.00
	Author :	Date:10/12/2014
	Note :	Page:1 of 1

```

VAR
FB : MyFB;
Index : USINT;
Array : ARRAY[ 0..15 ] OF BOOL;
END_VAR
    
```



Project : FBArray	
PROGRAM : LD	
Release :	Ver :1.00
Author :	Date:10/12/2014
Note :	Page:1 of 1

```

VAR_INPUT
In : BOOL; (* Input value *)
Idx : USINT; (* Array index *)
AOut : @BOOL; (* Array out (Address) *)
END_VAR

```

```

VAR_OUTPUT
Out : BOOL; (* Output value *)
END_VAR

```

```

1 (* ***** *)
2 (* FUNCTION BLOCK "MyFB" *)
3 (* ***** *)
4 (* Esempio FB con array. *)
5 (* ----- *)
6
7 (* ----- *)
8 (* TRASFERISCO INPUT IN ARRAY *)
9 (* ----- *)
10 (* Eseguo trasferimento input in array. *)
11
12 Out:=In;
13 AOut:=TO_UDINT(AOut)+Idx;
14 @AOut:=In;
15
16 (* [End of file] *)
17
18

```

Project : FBArray	
FUNCTION BLOCK : MyFB	
Release : FBArray	Ver :1.00
Author :	Date:10/12/2014
Note :	Page:1 of 1