

HEAVY DUTY WEATHERPROOF ENCLOSURE



In case radiomodems series D3 and D5 need to be installed outdoor exposed to weathering or in environments with dust, moisture or with spray water cleaning, they need to be located inside our weatherproof enclosures. These can provide a high level of protection (IP68) against dust, moisture, rain and also short immersion in water. These enclosures are available in different manufacturing materials and provide protection against different aggressive atmospheres. An explosion proof version is also available, covered by Atex and IECex certification. This is suitable for installation in classified areas with risk of explosion including mines.

COATED ALUMINUM ALLOY

Manufactured in Aluminum alloy and coated by polyester powder, these enclosures provide high mechanical protection and enable the radiomodem to be installed in critical environment.

STAINLESS STEEL

Manufactured in AISI316(CF8M) Stainless Steel provide protection to D3 and D5 radiomodems for marine installation and industrial applications where on top of mechanical protection high corrosion resistance is requested.

WEATHERPROOF

Our enclosures are manufactured in conformity with the international norm EN 60529 and provide total protection against dust, temporary immersion in water (IP68) and against direct water spray (IP66).

** Detailed technical features of D3 and D5 radiomodem can be found in relevant data sheets.*



ERE
WIRELESS

HEAVY DUTY WEATHERPROOF ENCLOSURE

NOMENCLATURE & ACCESSORIES

Antenna connection	2	N female
	3	TNC female

Enclosure	A	Aluminum IP66/68, 3 cable entries M20x1,5
	B	Aluminum IP66/68, 3 cable entries M25x1.5
	C	Aluminum IP66/68, 3 cable entries 1/2" npt-f
	D	Aluminum IP66/68, 3 cable entries 3/4" npt-f
	E	AISI 316 IP66/68, 3 cable entries M20x1,5
	F	AISI 316 IP66/68, 3 cable entries M25x1,5
	G	AISI 316 IP66/68, 3 cable entries 1/2" npt-f
	H	AISI 316 IP66/68, 3 cable entries 3/4" npt-f

D3 10 - 6 2 A E 00

Interface	2	D3 series (RS232/485 serial port, 2 digital input, 2 digital output)
	6	D5 series (RS485 serial port, 4 digital input, 2 digital output, 2 analog input, 2 analog output, digital counter input)

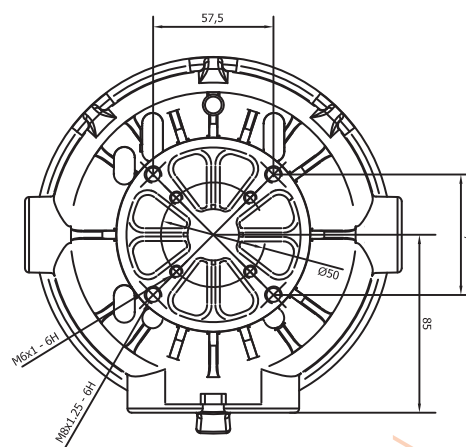
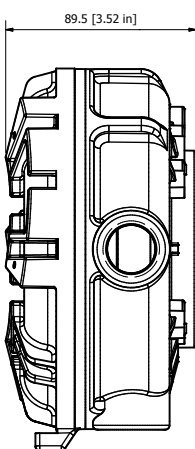
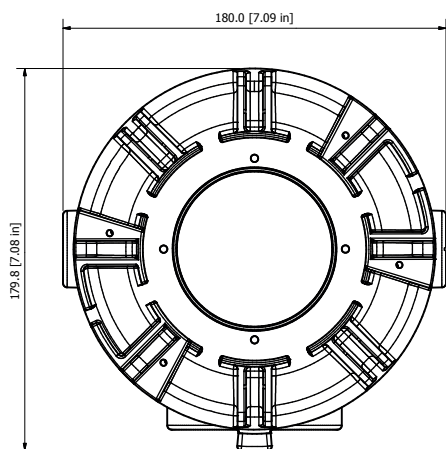
Frequency	1	169 MHz
	2	433 MHz (D3 series only)
	4	868 MHz

Series	D3 *	Radiomodem (DL)
	D5 *	Modbus RTU (HPDL)

Antenna	00	without antenna
	01	$\lambda/4$ 169MHz
	02	$\lambda/4$ short 169MHz
	03	$\lambda/4$ 433MHz
	04	$\lambda/4$ 868MHz
	20	$\lambda/2$ (dipole, vertical) 169MHz (cable 5 mt)
	21	$\lambda/2$ (dipole, vertical) 433MHz (cable 5 mt)
	22	$\lambda/2$ (dipole, vertical) 868MHz (cable 5 mt)
	40	Yagi 3 elements 169MHz (cable 10 mt)
	41	Yagi 3 elements 433MHz (cable 10 mt)
	42	Yagi 6 elements 868MHz (cable 10 mt)

* Consult D3 e D5 series bulletins for more details

DIMENSION mm [inch]



Ere srl | Via Ermanno Ge, 9/11
27049 Stradella (PV) | Italy | Tel +39 0385 48139
www.erewireless.com | info@erewireless.com